

General Notes

Code: Comply with 2001 California Building Code.

Design: Foundation – Wind 70MPH Exp. C.
Load: Roof DL = 2 1/2 PSF LL = 10 PSF

Foundation: Bottoms of all footings shall bear on undisturbed soil 1'-6" below natural grade, U.N.O design soil pressure 1,000 PSF total load.

Frost Heave: Foundation shown is for normal soils only. Frost zones and/or expansive soil may require additional design requirements. Verify with your local building department where deeper footings may be required to prevent frost or expansive heave.

Concrete: Concrete shall meet all requirements of Chapter 19 of 2001 CBC Type V Cement. Minimum 28 days strength 2500 PSI. Mechanically vibrate all concrete when placed, except slabs on grade. Maximum slump 3 1/2" to 5".

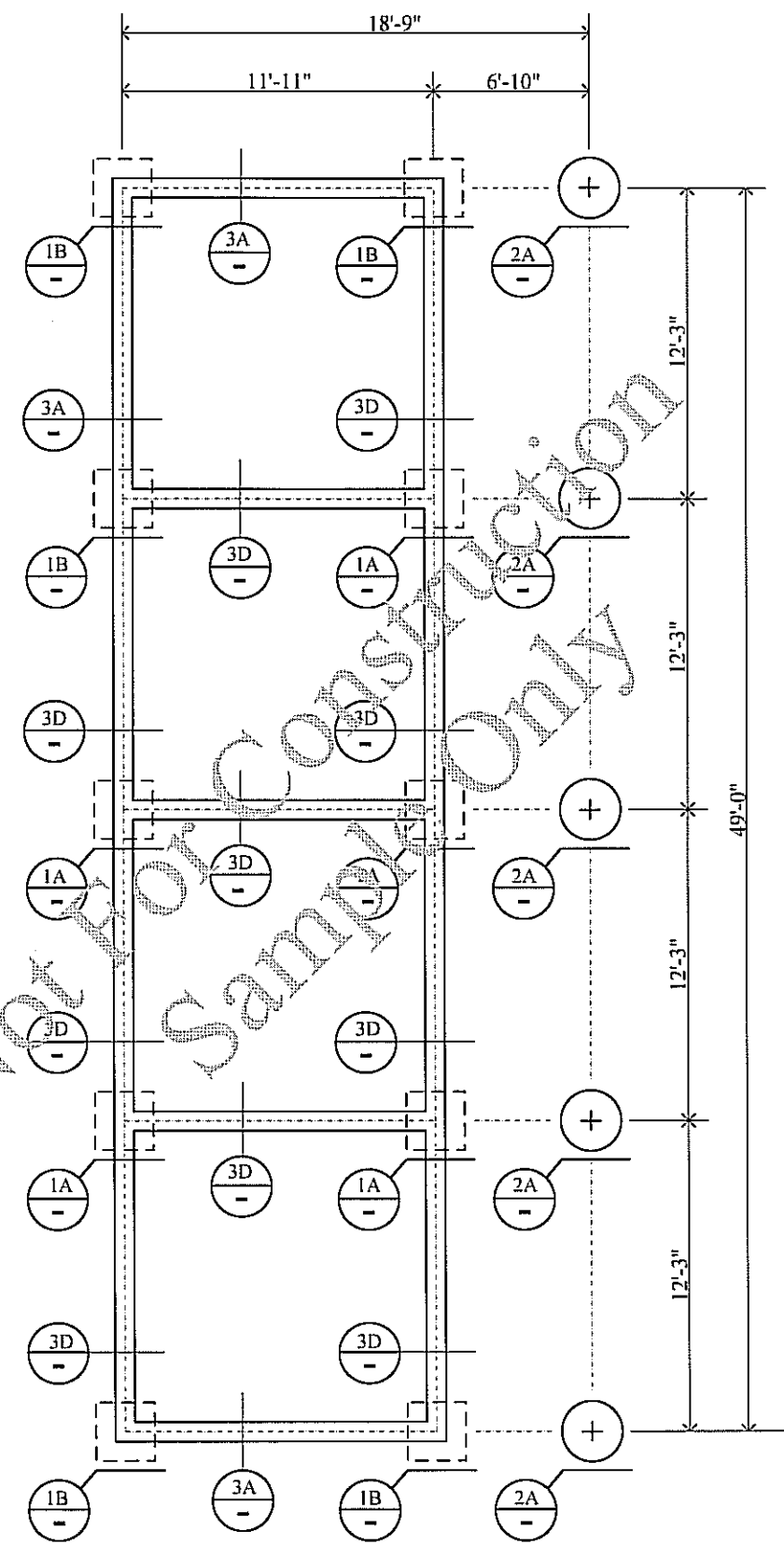
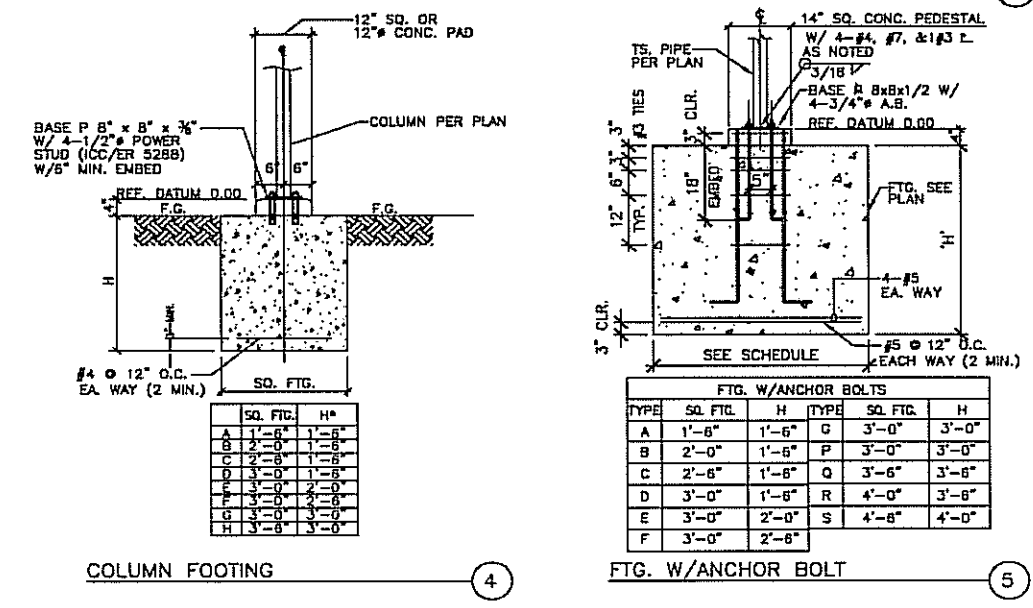
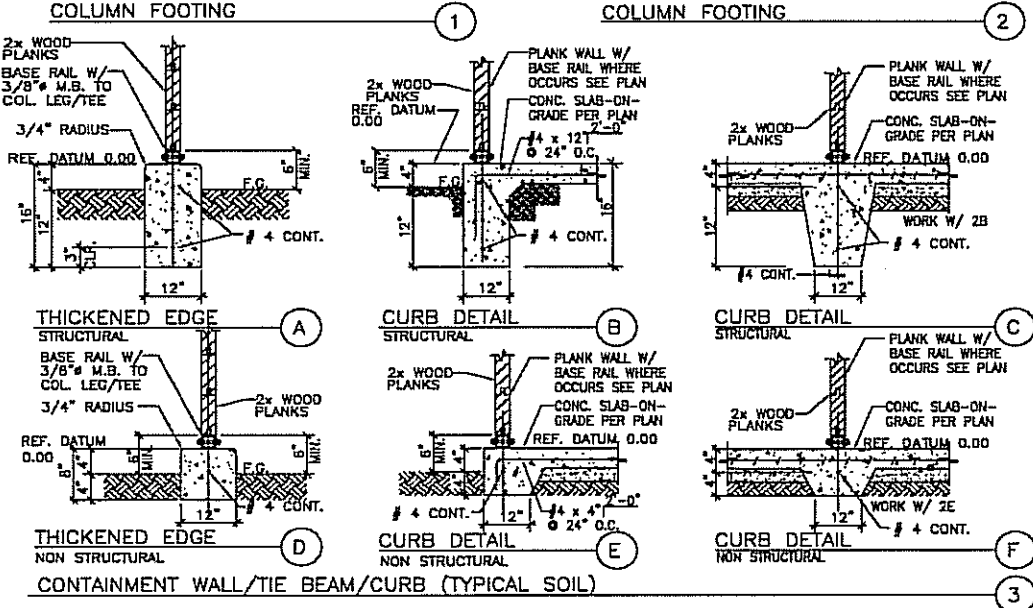
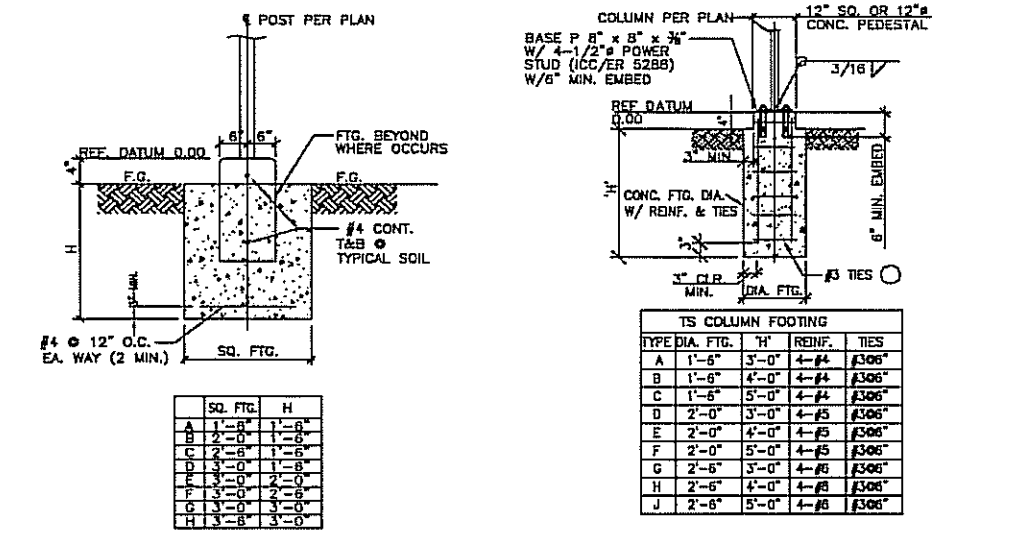
Slab On Grade: Provide minimum reinforcement for all slab on grade 6x6 10Ga.x10Ga welded wire fabric.

Reinforcing Steel: All reinforcing steel shall conform to ASTM A-615 Grade 60 except ties and stirrups #3 and #4 may be Grade 40. Minimum lap U.N.O. on plans shall be 40 diameters. Splices in horizontal rebar in stem walls & footings shall be staggered 4'-0" minimum. Reinforcing fabric shall conform to ASTM A-185.

Safety: Project safety is the responsibility of the contractor or persons in charge of the day to day construction.

Note To Contractor: If for any reason the details and information contained on these plans does not conform to the construction site conditions, it shall be the sole responsibility of the contractor to promptly notify Castlebrook Barns. There is no acceptable excuse for unauthorized field modifications. The contractor shall provide all temporary bracing, shoring, guying or other means to avoid excessive stresses and to hold structural elements in place during erection or installation. Establish and verify all openings and inserts for mechanical, electrical and plumbing with appropriate trades, drawings and subcontractors prior to construction. Contractor shall verify in field all existing condition shown in drawings. Any engineering design provided by others and submitted for review shall bear the seal of an engineer registered in California. All dimensions shown on plans are centerline dimensions. Drawings not to scale. Concrete estimates are based on \$85.00 per yard. Shop your concrete prior to contracting for your best price

Castlebrook Barns
14600 Whittram Ave
Fontana, Ca 92335
909.822.0500
L.A. City Fabricator Type 1 Lic. #1780



All dimensions shown on these plans are centerline dimensions

Project	Sample Foundation Plan	4 Stall Shedrow	Not to Scale	Sheet No	E1
REVISIONS	NO	DATE	BY	DESCRIPTION	
DATE	11/20/08	QC SG 2/11/2008	D Hobbs		